

**FEATURES**

- Extended temperature 105°C
- Small size and low resistance
- Quick charge and discharge
- RoHS compliant

**APPLICATIONS**

- Pulse power demand
- Hybrid battery packs
- Portable electronic devices

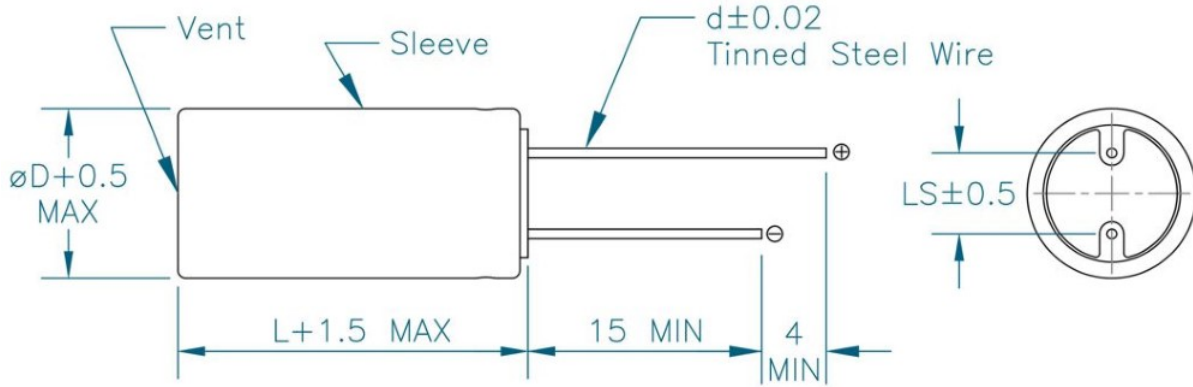


*Need a custom fit for your design? [Click here to get started.](#)*

**GENERAL SPECIFICATIONS**

Item	Performance
Operating temperature	-40°C to +105°C
Storage temperature	-40°C to +70°C
Capacitance	4F
Rated voltage	2.3 VDC
Surge voltage	2.7 VDC
Temperature characteristics	Capacitance Change: Within ±5% of initial measured value at +25°C (-40°C to +105°C) Internal resistance: Within ±50% of initial measured value at +25°C (at -40°C)
Endurance (At rated voltage & max. operating temp)	After 1000 hours: Capacitance change: Within ±30% of initial specified value Internal resistance: Within 2 times of initial specified value
Projected Load life (At rated voltage & 25°C)	After 10 years: Capacitance change: Within ±30 % of initial specified value Internal resistance: Within 2 times of initial specified value
Projected cycle life (From rated voltage to 1/2 rated voltage at 25°C)	After 500,000 cycles: Capacitance change: Within ±30 % of initial specified value Internal resistance: Within 2 times of initial specified value
Shelf life	After 1000 hours storage, at 70°C without load, the capacitor shall meet the specified endurance limits.

**DIMENSIONS**



**STANDARD PRODUCTS**

Part Number	Nom. Cap. (F)	GMV (F)*	ESR DC Typical (mΩ)	ESR AC Max. (mΩ) (1 KHz)	Leakage Current (μA) (72 hrs @ 25°C)	Dimensions (mm)				Rated Current (A)	Weight/Unit (grams)
						D	L	d	LS		
TPLT-2R3/4.0WR10X20	4	3.6	190	130	23	10	20	0.6	3.5	2.6	2.3

\*NOTE: GMV = Guaranteed Minimum Value.