

**FEATURES**

- Small size and low resistance
- Quick charge and discharge
- RoHS compliant

**APPLICATIONS**

- Pulse power demand
- Hybrid battery packs
- Portable electronic devices

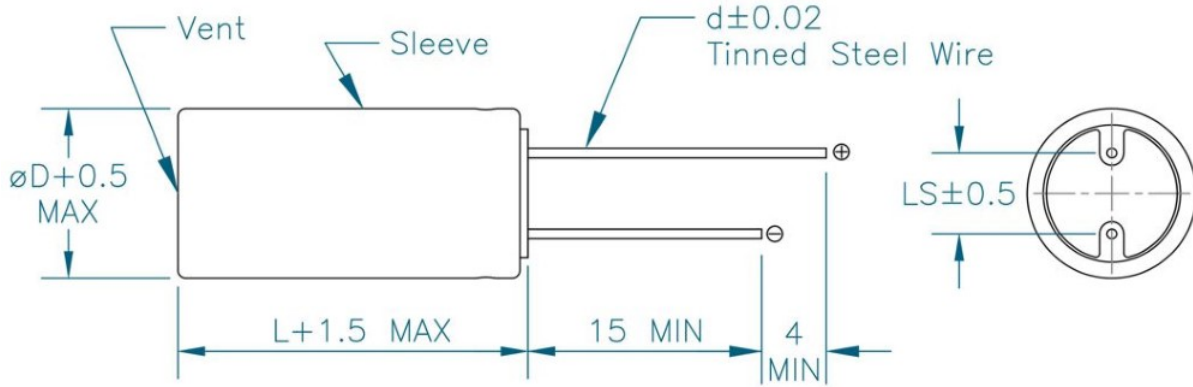


*Need a custom fit for your design? [Click here to get started.](#)*

**GENERAL SPECIFICATIONS**

Item	Performance
Operating temperature	-40°C to +65°C @ 2.7V -40°C to +85°C @ 2.3V
Storage temperature	-40°C to +70°C
Capacitance	8F
Rated voltage	2.7 VDC / 2.3 VDC
Surge voltage	2.85 VDC
Temperature characteristics	Capacitance change: Within ±5% of initial measured value at +25°C (-40°C to +65°C) Internal resistance: Within ±50% of initial measured value at +25°C (at -40°C)
Endurance (At rated voltage & max. operating temp)	After 1000 hours: Capacitance change: ±30% of initial rated value Internal resistance: Within 2 times of initial specified value
Projected Load life (At rated voltage & 25°C)	After 10 years: Capacitance change: Within ±30 % of initial rated value Internal resistance: Within 2 times of initial specified value
Projected cycle life (From rated voltage to 1/2 rated voltage at 25°C)	After 500,000 cycles: Capacitance change: Within ±30 % of initial rated value Internal resistance: Within 2 times of initial specified value
Shelf life	After 4 years at 25°C without load, the capacitor shall meet the specified endurance limits.

**DIMENSIONS**



**STANDARD PRODUCTS**

Part Number	Nom. Cap. (F)	GMV (F)*	ESR DC Typical (mΩ)	ESR AC Max. (mΩ) (1 KHz)	Leakage Current (μA) (72 hrs @ 25C)	Dimensions (mm)				Rated Current (A)	Weight/Unit (grams)
						D	L	d	LS		
TPLHE-2R7/8.0PR8X28	8	7.6	110	100	20	8	28	0.6	3.5	5.7	3

\*NOTE: GMV = Guaranteed Minimum Value.