

FEATURES

- Small size and low resistance
- Quick charge and discharge
- RoHS compliant

APPLICATIONS

- Pulse power demand
- Hybrid battery packs
- Portable electronic devices

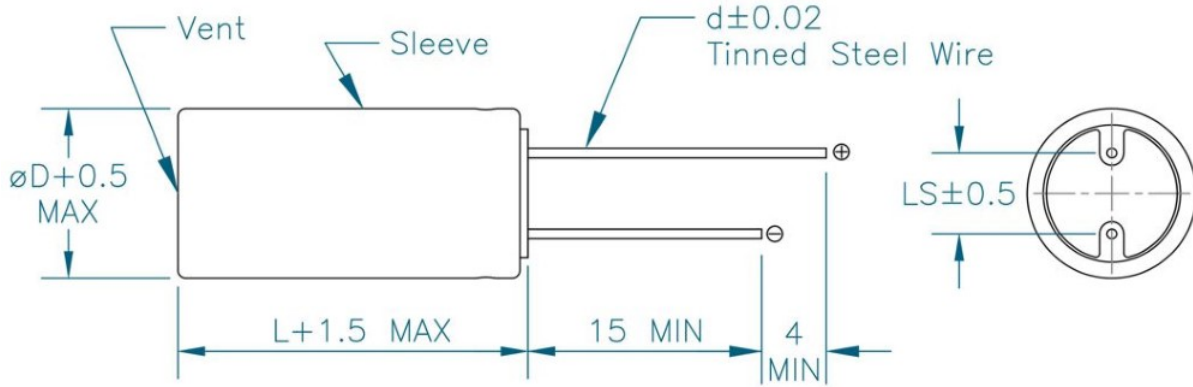


Need a custom fit for your design? [Click here to get started.](#)

GENERAL SPECIFICATIONS

| Item | Performance |
|---|--|
| Operating temperature | -40°C to +65°C @ 2.7V -40°C to +85°C @ 2.3V |
| Storage temperature | -40°C to +70°C |
| Capacitance | 48F |
| Rated voltage | 2.7 VDC / 2.3 VDC |
| Surge voltage | 2.85 VDC |
| Temperature characteristics | Capacitance change: Within ±5% of initial measured value at +25°C (-40°C to +65°C) Internal resistance: Within ±50% of initial measured value at +25°C (at -40°C) |
| Endurance (At rated voltage & max. operating temp) | After 1000 hours: Capacitance change: ±30% of initial rated value Internal resistance: Within 2 times of initial specified value |
| Projected Load life (At rated voltage & 25°C) | After 10 years: Capacitance change: Within ±30 % of initial rated value Internal resistance: Within 2 times of initial specified value |
| Projected cycle life (From rated voltage to 1/2 rated voltage at 25°C) | After 500,000 cycles: Capacitance change: Within ±30 % of initial rated value Internal resistance: Within 2 times of initial specified value |
| Shelf life | After 4 years at 25°C without load, the capacitor shall meet the specified endurance limits. |

DIMENSIONS



STANDARD PRODUCTS

| Part Number | Nom. Cap. (F) | GMV (F)* | ESR DC Typical (mΩ) | ESR AC Max. (mΩ) (1 KHz) | Leakage Current (μA) (72 hrs @ 25C) | Dimensions (mm) | | | | Rated Current (A) | Weight/Unit (grams) |
|---------------------|---------------|----------|---------------------|--------------------------|-------------------------------------|-----------------|------|-----|-----|-------------------|---------------------|
| | | | | | | D | L | d | LS | | |
| TPLHE-2R7/48PR12X46 | 48 | 45 | 22 | 20 | 100 | 12.5 | 46.5 | 0.8 | 5.3 | 31.5 | 9 |

*NOTE: GMV = Guaranteed Minimum Value.