

**FEATURES**

- Small size and low resistance
- Quick charge and discharge
- RoHS compliant
- UL Recognized



**APPLICATIONS**

- Pulse power demand
- Hybrid battery packs
- Portable electronic devices

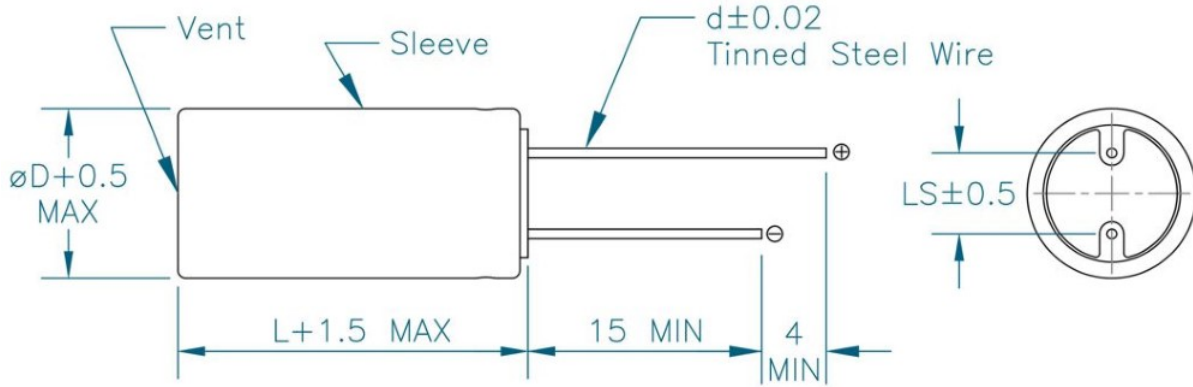


*Need a custom fit for your design? [Click here to get started.](#)*

**GENERAL SPECIFICATIONS**

Item	Performance
Operating temperature	-40°C to +65°C @ 3V -40°C to +85°C @ 2.7V
Storage temperature	-40°C to +70°C
Capacitance	38F
Rated voltage	3 VDC / 2.7 VDC
Surge voltage	3.15 VDC
Temperature characteristics	Capacitance change: Within ±5% of initial measured value at +25°C (-40°C to +65°C) Internal resistance: Within ±50% of initial measured value at +25°C (at -40°C)
Endurance (At rated voltage & max. operating temp)	After 1000 hours: Capacitance change: ±30% of initial rated value Internal resistance: Within 2 times of initial specified value
Projected Load life (At rated voltage & 25°C)	After 10 years: Capacitance change: Within ±30 % of initial rated value Internal resistance: Within 2 times of initial specified value
Projected cycle life (From rated voltage to 1/2 rated voltage at 25°C)	After 500,000 cycles: Capacitance change: Within ±30 % of initial rated value Internal resistance: Within 2 times of initial specified value
Shelf life	After 2 years at 25°C without load, the capacitor shall meet the specified endurance limits.
Biased humidity life	3000 hours of continuous charging at VR, 60°C and 90%RH for mechanical integrity

**DIMENSIONS**



**STANDARD PRODUCTS**

Part Number	Nom. Cap. (F)	GMV (F)*	ESR DC Typical (mΩ)	ESR AC Max. (mΩ) (1 KHz)	Leakage Current (μA) (72 hrs @ 25C)	Dimensions (mm)				Rated Current (A)	Weight/Unit (grams)
						D	L	d	LS		
TPLH-3R0/38WR12X46	38	34.2	22	16	80	12.5	46.5	0.8	5.3	31.05	8.5

\*NOTE: GMV = Guaranteed Minimum Value.