

**FEATURES**

- Compact size and higher energy density
- Higher voltage
- Quick charge and discharge
- RoHS & REACH compliant

**APPLICATIONS**

- Pulse power demand
- Ride thru power support
- Back up power
- Stand alone or augment existing energy/power source



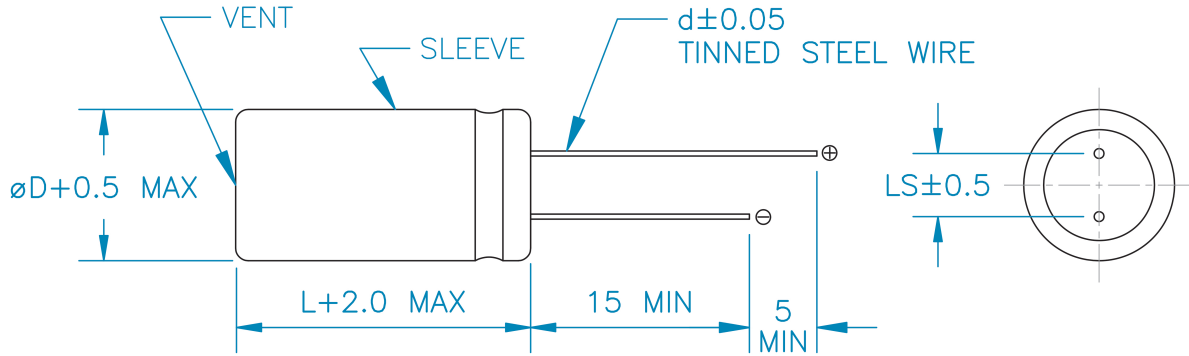
***Need a custom fit for your design? [Click here to get started.](#)***

**GENERAL SPECIFICATIONS**


Item	Performance
Operating temperature	-25°C to +70°C
Storage temperature	-25°C to +70°C
Capacitance	300F
Capacitance tolerance	+/-20%
Rated voltage	3.8 VDC
Minimum rated voltage	2.2 VDC
Surge voltage	4.2 VDC
Temperature characteristics	Capacitance change: Within ±50% of initial measured value at +25°C (-25°C to 70°C) Internal resistance: Within ±200% of initial measured value at +25°C (at -25°C)
Endurance (At rated voltage & max. operating temp)	After 1000 hours: Capacitance change: ±30% of minimum rated value Internal resistance: Within 2 times of maximum rated value
Projected cycle life	After 250,000 cycles: From 3.8V to 2.5V at 25°C Capacitance change: Within ±30 % of minimum value Internal resistance: Within 2 times of maximum rated value
Shelf life	Three years at 25°C, or 1000hours at 70°C without load. The Capacitor shall meet the specified endurance limits.

Individual cells also available with cable and Molex connector 87439-0200. Please contact Tecate Group for a quotation.

**DIMENSIONS**



**STANDARD PRODUCTS**

Part Number	UL	Nom. Cap. (F)	ESR AC (mΩ) (1 KHz)	ESR DC Typical (mΩ)	Leakage Current (μA)	Dimensions (mm)				Rated Current (A)	Max Current* (A)	Weight/Unit (grams)
						D	L	d	LS			
TPLCE-3R8/300MR12X35		300	50	100	30	12.5	35	0.6	5	1.5	10	10

\* Maximum allowable current for 3 seconds or less.